

# Product data sheet

## Characteristics

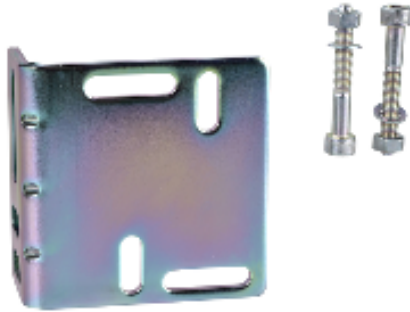
# XUZX2000

Photoelectric sensors XU, accessory for sensor, XUX, fixing bracket, metal



Product availability: Stock - Normally stocked in distribution facility

Price\*: 12.30 USD



### Main

Range of product	Telemecanique Photoelectric sensors XU
Accessory / separate part category	Mounting and fixing accessories
Accessory / separate part type	Fixing bracket
Accessory / separate part designation	Fixing bracket
Accessory / separate part destination	Compact 92 x 71 mm sensor
Material	Metal

### Complementary

Product compatibility	XUX
Net Weight	0.14 Lb(US) (0.065 kg)

### Ordering and shipping details

Category	22481 - SENSORS, PHOTOELECTRIC
Discount Schedule	DS2
GTIN	03389110171549
Nbr. of units in pkg.	1
Package weight(Lbs)	4.51 Oz (128 g)
Returnability	Yes
Country of origin	ID

### Packing Units

Unit Type of Package 1	PCE
Package 1 Height	1.18 In (3 cm)
Package 1 width	2.56 In (6.5 cm)
Package 1 Length	2.56 In (6.5 cm)

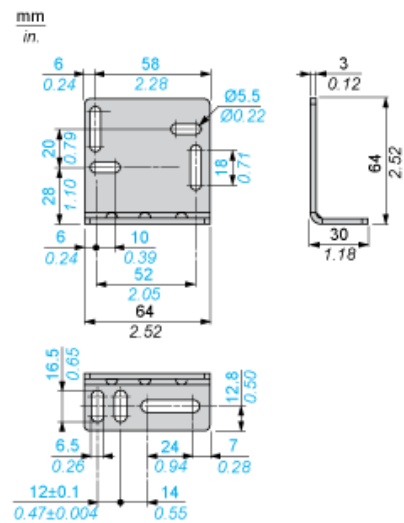
**Offer Sustainability**

Sustainable offer status	Green Premium product
California proposition 65	WARNING: This product can expose you to chemicals including: Diisononyl phthalate (DINP), which is known to the State of California to cause cancer, and Diisodecyl phthalate (DIDP), which is known to the State of California to cause birth defects or other reproductive harm. For more information go to <a href="http://www.P65Warnings.ca.gov">www.P65Warnings.ca.gov</a>
REACH Regulation	<a href="#">REACH Declaration</a>
EU RoHS Directive	Pro-active compliance (Product out of EU RoHS legal scope) <a href="#">EU RoHS Declaration</a>
Mercury free	Yes
RoHS exemption information	<a href="#">Yes</a>
Environmental Disclosure	<a href="#">Product Environmental Profile</a>
Circularity Profile	<a href="#">End Of Life Information</a>

**Contractual warranty**

Warranty	18 months
----------	-----------

Dimensions



Product Life Status : Commercialised